

CONDUCTIVE PLASTIC SYNCHRO DESIGN

# PK620-15

**Precision Potentiometer with conductive plastic resistance element**

- High-resolution resistance element of conductive plastic
- Short-circuit distances and additional taps available upon request
- Resistance value and active angle can be customized as desired



## TECHNICAL DATA

|                           |                                     |
|---------------------------|-------------------------------------|
| Housing material          | aluminum, anodized                  |
| Housing diameter          | 50.8 mm                             |
| IP code of housing up to  | IP30                                |
| Shaft diameter            | 6 mm                                |
| Adjustment speed          | max. 1000 U/min.                    |
| Torque                    | 0.05 Ncm                            |
| Wiper without limit stops | no                                  |
| Multiple execution        | sixfold                             |
| Bearing                   | ball-bearing                        |
| Connection                | faston plug / solder-type terminals |
| Fastening                 | clamp fixing                        |
| Resistance element        | conductive plastic                  |
| Active angle              | max. 355°                           |

|                                                                                         |                              |
|-----------------------------------------------------------------------------------------|------------------------------|
| Resistance values                                                                       | to 10 kΩ                     |
| Resistance tolerance                                                                    | ± 10 %                       |
| Linearity tolerance                                                                     | ±1.5 % / ±0.1 % (on request) |
| Resolution in turns                                                                     | almost infinite              |
| Capacity                                                                                | 2 W                          |
| Temperature range                                                                       | -30 °C to +80 °C             |
| Temperature coefficient                                                                 | 0.02 % / °C                  |
| Lifetime                                                                                | typical 10–50 Mio. Cycles**  |
| <small>** The lifetime depends on the application and environmental conditions.</small> |                              |
| Vibration*                                                                              | 5–200 Hz, 10 g               |
| Shock*                                                                                  | 50 g, 6 ms                   |

### Specific features

Additional switches, maximum of 2, fixed setting

\*Depending on customer specifications.

**Article master number** 1575Z12

Typical

## APPLICATION AREAS



Optionally available

## PROTECTIVE HOUSING

To protect against mechanical damage and extreme environmental conditions, as well as for necessary adaptation gears and additional switches, suitable housings are available in various designs.



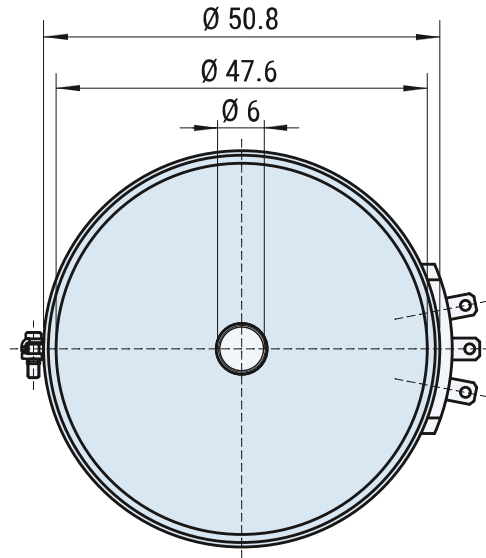
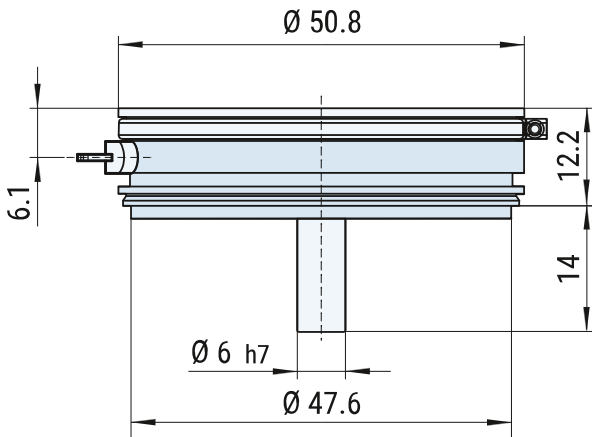
**For more information on protective housings, click here: [www.fsg-sensors.de](http://www.fsg-sensors.de)**



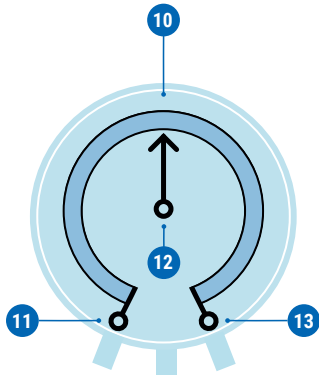
CONDUCTIVE PLASTIC SYNCHRO DESIGN

# PK620-15

## DIMENSIONAL DRAWINGS



## CONNECTION



**Standard**

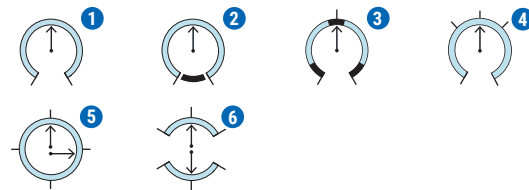
- 11 Resistance start
- 12 Wiper
- 13 Resistance end

**Optional**

- 10 Additional tap

## CIRCUIT VARIATIONS

Wire-wound resistive elements **conductive plastic**, printed on glass fiber reinforced substrate. Maximum active angle is 355°. Smaller angles, taps, and shorted sections are available on request.



- 1 Wiper limited by stops
- 2 Wiper continues rotation over 360°
- 3 Free arrangement of shorted sections
- 4 Free arrangement of taps
- 5 Sin/cos characteristic curve
- 6 Two electrically isolated windings on a winding body, angle ≤175°

## CONTACT

If you have any questions about this or any other FSG product, please do not hesitate to contact us.

**BERLIN (HQ)**  
Fernsteuergeräte Kurt Oelsch GmbH  
Jahnstraße 68 + 70  
12347 Berlin

info@fsg-sensors.de  
 www.fsg-sensors.de  
 +49 30 6291-1  
 +49 30 6291-277

© Fernsteuergeräte Kurt Oelsch GmbH  
No guarantee for the correctness, completeness of the contents. The product illustration may differ from original.