

WIRE WINDING

FSG-DESIGN

# PW45W3

## 3-turn precision Potentiometer

- Multiturn precision potentiometer for three revolutions
- High-resolution resistance element with caterpillar winding
- Resistance value can be customized as desired



### TECHNICAL DATA

Housing material	brass / thermoplastic	Resistance values	to 25 kΩ
Housing diameter	45 mm	Resistance tolerance	5%
IP code of housing up to	IP30	Linearity tolerance	±0.1 %
Shaft diameter	6 mm	Resolution in turns	max. 10398
Adjustment speed	max. 360 U/min	Capacity	2 W
Torque	0.5 Ncm	Temperature range	-30 °C to +80 °C
Wiper without limit stops	no	Temperature coefficient	0.0017 % / °C
Multiple execution	twice	Lifetime	typical 10–50 Mio. Cycles**
Bearing	sintered bearing	<small>** The lifetime depends on the application and environmental conditions.</small>	
Connection	solder-type terminals	Vibration*	5–200 Hz, 10 g
Fastening	central fixing / optional clamp fixing	Shock*	50 g, 6 ms
Resistance element	caterpillar		
Active angle	max. 1800°		

\*Depending on customer specifications.

**Article master number 1302Z10**

### Typical APPLICATION AREAS



### Optionally available PROTECTIVE HOUSING

To protect against mechanical damage and extreme environmental conditions, as well as for necessary adaptation gears and additional switches, suitable housings are available in various designs.



**For more information on protective housings, click here: [www.fsg-sensors.de](http://www.fsg-sensors.de)**

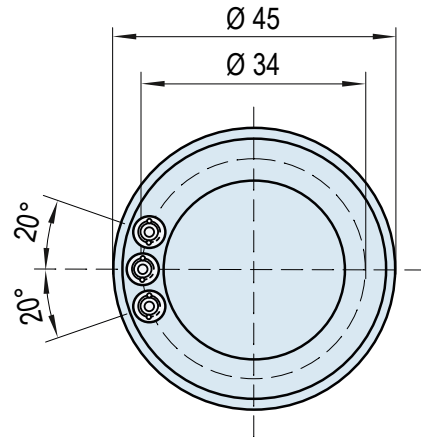
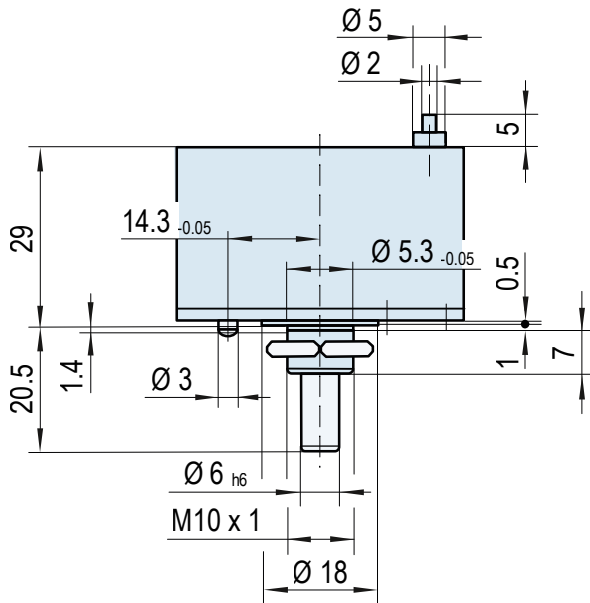


WIRE WINDING

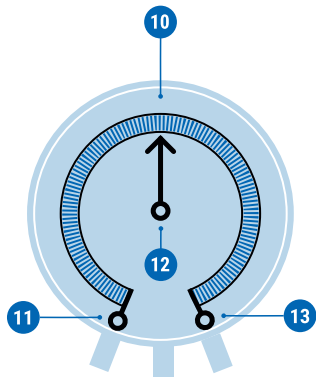
FSG-DESIGN

# PW45W3

## DIMENSIONAL DRAWINGS



## CONNECTION



**Standard**

- 11 Resistance start
- 12 Wiper
- 13 Resistance end

**Optional**

- 10 Additional tap

## CIRCUIT VARIATIONS

Wire-wound resistive elements with shape on a painted copper wire body in single-turn or multi-turn input or multiturn potentiometers.



- 1 Wiper limited by stops
- 2 Free arrangement of short-circuit sections
- 3 Free arrangement of taps

## CONTACT

If you have any questions about this or any other FSG product, please do not hesitate to contact us.

**BERLIN (HQ)**  
Fernsteuergeräte Kurt Oelsch GmbH  
Jahnstraße 68 + 70  
12347 Berlin

✉ info@fsg-sensors.de  
🌐 www.fsg-sensors.de  
📞 +49 30 6291-1  
📠 +49 30 6291-277

© Fernsteuergeräte Kurt Oelsch GmbH  
No guarantee for the correctness, completeness of the contents. The product illustration may differ from original.