

WIRE WINDING

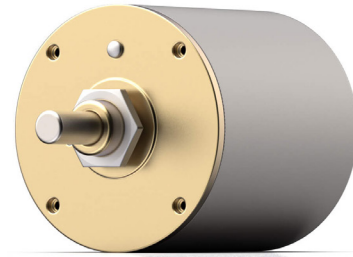
FSG-DESIGN

PW45W10

10-turn precision Potentiometer

- Multiturn precision potentiometer for ten revolutions
- High-resolution resistance element with caterpillar winding
- Resistance value can be customized as desired

CE – konform



TECHNICAL DATA

Mechanical specifications

Housing material	brass / thermoplastic
Housing diameter	45 mm
IP code of housing up to	IP30
Shaft diameter	6 mm
Adjustment speed	max. 360 U/min
Torque	0.5 Ncm
Wiper without limit stops	no
Multiple execution	twice
Resistance to compression	5–200 Hz, 10 g
Shock resistance	50 g, 6 ms
Bearing	sintered bearing
Connection	solder-type terminals
Fastening	central fixing / optional clamp fixing

Electrical specifications

Resistance element	caterpillar
Active angle	max. 3600°
Resistance values	to 25 kΩ
Resistance tolerance	±0.1 %
Linearity tolerance	±0.1 %
Resolution in turns	max. 21049
Capacity	2 W
Temperature coefficient	0.0017 % / °C
Temperature range	-30 °C to +80 °C
Lifetime	typical 10–50 Mio. Cycles*

* The lifetime depends on the application and environmental conditions.

Article master number 1300Z10

Typical

APPLICATION AREAS



Optionally available

PROTECTIVE HOUSING

To protect against mechanical damage and extreme environmental conditions, as well as for necessary adaptation gears and additional switches, suitable housings are available in various designs.



For more information on protective housings, click here: www.fsg-sensors.de

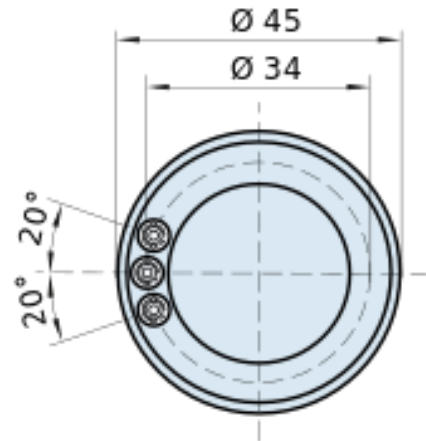
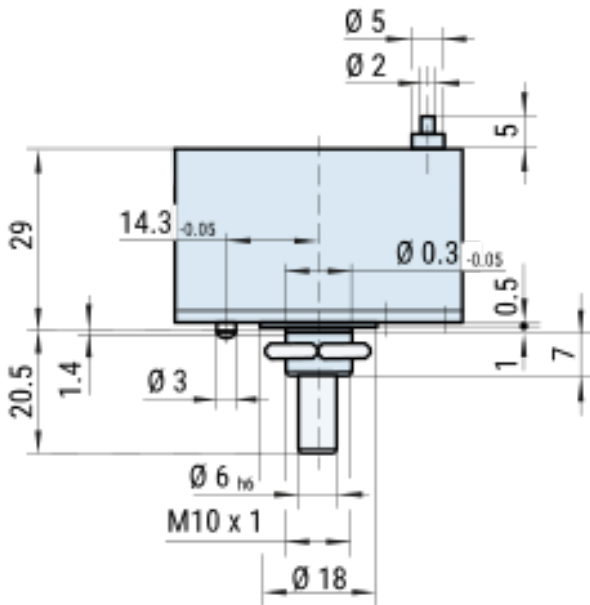


WIRE WINDING

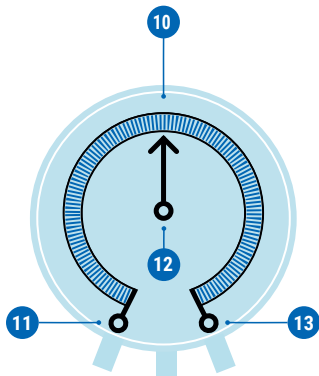
FSG-DESIGN

PW45W10

DIMENSIONAL DRAWINGS



CONNECTION



Standard

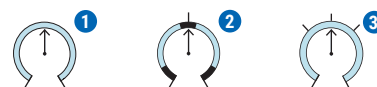
- 11 Resistance start
- 12 Wiper
- 13 Resistance end

Optional

- 10 Additional tap

CIRCUIT VARIATIONS

Wire-wound resistive elements with shape on a painted copper wire body in single-turn or multi-turn input or multiturn potentiometers.



- 1 Wiper limited by stops
- 2 Free arrangement of short-circuit sections
- 3 Free arrangement of taps

CONTACT

If you have any questions about this or any other FSG product, please do not hesitate to contact us.



BERLIN (HQ)
Fernsteuergeräte Kurt Oelsch GmbH
Jahnstraße 68 + 70
12347 Berlin

✉ info@fsg-sensors.de
🌐 www.fsg-sensors.de
📞 +49 30 6291-1
📠 +49 30 6291-277

© Fernsteuergeräte Kurt Oelsch GmbH
No guarantee for the correctness, completeness of the contents. The product illustration may differ from original.