

CONDUCTIVE PLASTIC SYNCHRO DESIGN

# PK309-15d

**Miniature Potentiometer with conductive plastic resistive element**

- High-resolution resistance element of conductive plastic
- Short-circuit distances and additional taps available upon request
- Available with sine/cosine resistance element



## TECHNICAL DATA

Housing material	aluminum, anodized	Resistance values	to 10 kΩ
Housing diameter	22.2 mm	Resistance tolerance	± 20 %
IP code of housing up to	IP30	Linearity tolerance	±2 %
Shaft diameter	3 mm	Resolution in turns	almost infinite
Adjustment speed	max. 1000 U/min.	Capacity	0.5 W
Torque	0.03 Ncm	Temperature range	-30 °C to +80 °C
Wiper without limit stops	yes	Temperature coefficient	0.02 % / °C
Multiple execution	triple	Lifetime	typical 10–50 Mio. Cycles**
Bearing	ball-bearing	<small>** The lifetime depends on the application and environmental conditions.</small>	
Connection	faston plug / solder-type terminals	Vibration*	5–200 Hz, 10 g
Fastening	clamp fixing	Shock*	50 g, 6 ms
Resistance element	conductive plastic		
Active angle	max. 345°		

\*Depending on customer specifications.

**Article master number 1105Z02**

## Typical APPLICATION AREAS



## Optionally available PROTECTIVE HOUSING

To protect against mechanical damage and extreme environmental conditions, as well as for necessary adaptation gears and additional switches, suitable housings are available in various designs.



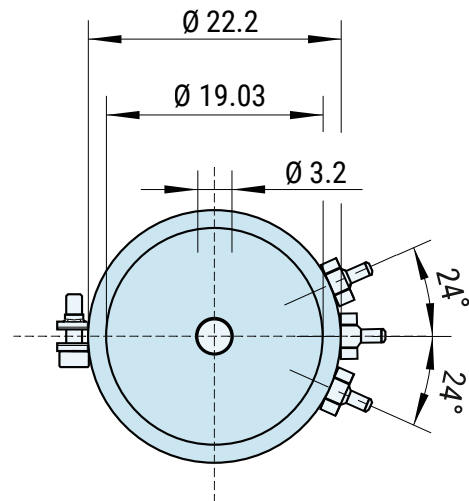
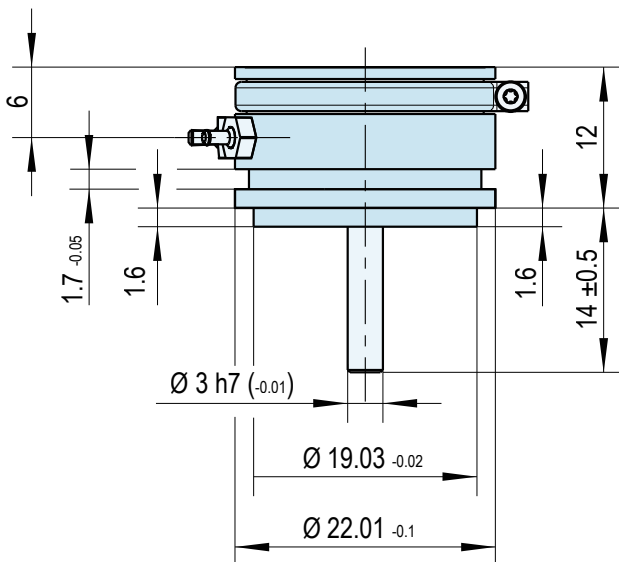
**For more information on protective housings, click here: [www.fsg-sensors.de](http://www.fsg-sensors.de)**



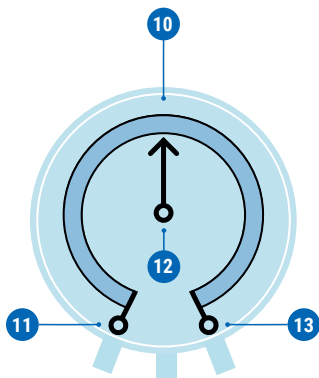
CONDUCTIVE PLASTIC SYNCHRO DESIGN

# PK309-15d

## DIMENSIONAL DRAWINGS



## CONNECTION



**Standard**

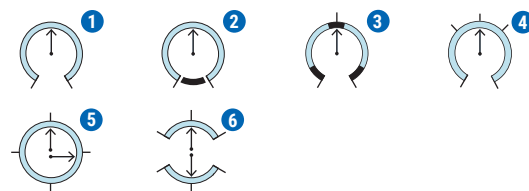
- 11 Resistance start
- 12 Wiper
- 13 Resistance end

**Optional**

- 10 Additional tap

## CIRCUIT VARIATIONS

Wire-wound resistive elements **conductive plastic**, printed on glass fiber reinforced substrate. Maximum active angle is 355°. Smaller angles, taps, and shorted sections are available on request.



- 1 Wiper limited by stops
- 2 Wiper continues rotation over 360°
- 3 Free arrangement of shorted sections
- 4 Free arrangement of taps
- 5 Sin/cos characteristic curve
- 6 Two electrically isolated windings on a winding body, angle ≤175°

## CONTACT

If you have any questions about this or any other FSG product, please do not hesitate to contact us.

**BERLIN (HQ)**  
 Fernsteuergeräte Kurt Oelsch GmbH  
 Jahnstraße 68 + 70  
 12347 Berlin

✉ info@fsg-sensors.de  
 🌐 www.fsg-sensors.de  
 📞 +49 30 6291-1  
 📠 +49 30 6291-277

© Fernsteuergeräte Kurt Oelsch GmbH  
 No guarantee for the correctness, completeness of the contents. The product illustration may differ from original.