

WIRE WINDING

SYNCHRO DESIGN

PW620-18

Wire wound precision Potentiometer

- High-resolution resistive element with ring winding
- Short-circuit distances, additional taps, and special windings available upon request
- Resistance value and active angle can be customized as desired



TECHNICAL DATA

| | | | |
|---------------------------|-------------------------------------|---|-----------------------------|
| Housing material | aluminum, anodized | Resistance values | to 20 kΩ |
| Housing diameter | 50.8 mm | Resistance tolerance | 2% |
| IP code of housing up to | IP30 | Linearity tolerance | ±0.2 % |
| Shaft diameter | 6 mm | Resolution in turns | 3434 |
| Adjustment speed | max. 360 U/min | Capacity | 1 W |
| Torque | 0.05 Ncm | Temperature range | -30 °C to +80 °C |
| Wiper without limit stops | no | Temperature coefficient | 0.00 17 % / °C |
| Multiple execution | sixfold | Lifetime | typical 10–50 Mio. Cycles** |
| Bearing | ball-bearing | <small>** The lifetime depends on the application and environmental conditions.</small> | |
| Connection | faston plug / solder-type terminals | Vibration* | 5–200 Hz, 10 g |
| Fastening | clamp fixing | Shock* | 50 g, 6 ms |
| Resistance element | ring | Specific features | |
| Active angle | max. 345° | 2 additional switches, fixed, auf Anfrage verfügbar | |

*Depending on customer specifications.

Article master number 1570Z80

Typical

APPLICATION AREAS



Ship



Rails



Automation



Logistics



Medicine



Industry

Optionally available

PROTECTIVE HOUSING

To protect against mechanical damage and extreme environmental conditions, as well as for necessary adaptation gears and additional switches, suitable housings are available in various designs.



For more information on protective housings, click here: www.fsg-sensors.de

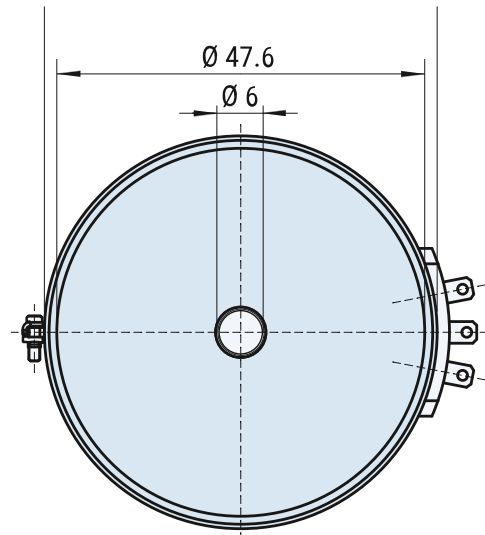
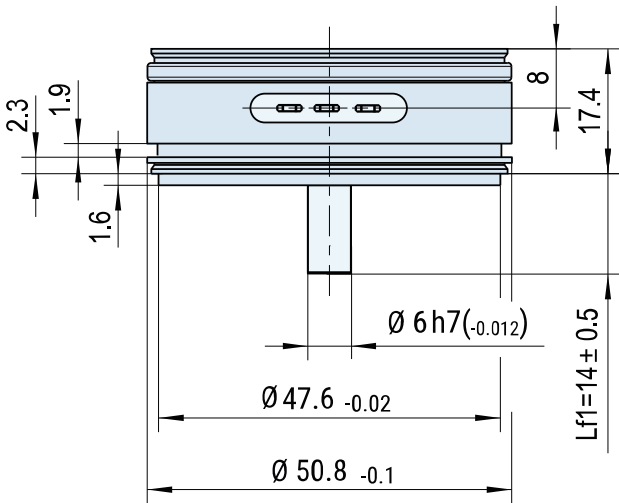


WIRE WINDING

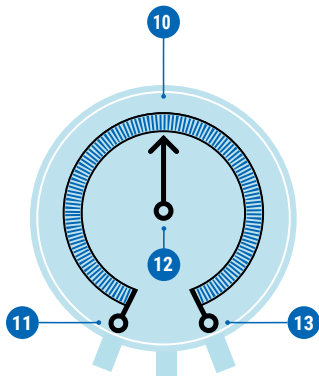
SYNCHRO DESIGN

PW620-18

DIMENSIONAL DRAWINGS



CONNECTION



Standard

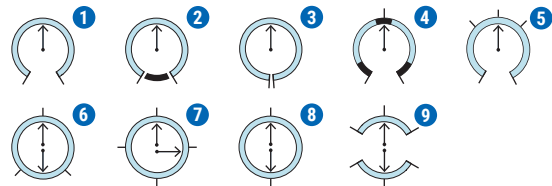
- 11 Resistance start
- 12 Wiper
- 13 Resistance end

Optional

- 10 Additional tap

CIRCUIT VARIATIONS

Wire-wound resistive elements as **ring winding** on an anodized aluminum ring body can be executed in various circuit configurations, angle ranges, and resistance values.



- 1 Wiper limited by stops
- 2 Wiper continues rotation over 360° with dummy winding
- 3 Wiper continues rotation over 360° without reactive winding (sawtooth curve)
- 4 Free arrangement of shorted sections
- 5 Free arrangement of taps
- 6/7/8 Special windings with linear or sin/cos characteristic curves
- 9 Two electrically isolated windings on a winding body, angle ≤175°

CONTACT

If you have any questions about this or any other FSG product, please do not hesitate to contact us.

BERLIN (HQ)
Fernsteuergeräte Kurt Oelsch GmbH
Jahnstraße 68 + 70
12347 Berlin

✉ info@fsg-sensors.de
🌐 www.fsg-sensors.de
📞 +49 30 6291-1
📠 +49 30 6291-277

© Fernsteuergeräte Kurt Oelsch GmbH
No guarantee for the correctness, completeness of the contents. The product illustration may differ from original.