

WIRE WINDING

SYNCHRO DESIGN

# PW609dy

## Wire wound miniature Potentiometer

- High-resolution resistive element with caterpillar winding
- Short-circuit distances and additional taps available upon request
- Suitable for measured value acquisition in small installation spaces

CE – konform



## TECHNICAL DATA

### Mechanical specifications

Housing material	aluminum, anodized
Housing diameter	22.2 mm
IP code of housing up to	IP30
Shaft diameter	3 / 6 mm
Adjustment speed	max. 360 U/min
Torque	0.03 Ncm
Wiper without limit stops	for adjustment purposes only
Multiple execution	simply
Resistance to compression	5–200 Hz, 10 g
Shock resistance	50 g, 6 ms
Bearing	plain bearing
Connection	faston plug /solder-type terminals
Fastening	central fixing

### Electrical specifications

Resistance element	caterpillar
Active angle	max. 340°
Resistance values	to 10 kΩ
Resistance tolerance	±0.5 %
Linearity tolerance	±0.5 %
Resolution in turns	1033
Capacity	0.5 W
Temperature coefficient	0.0017 % / °C
Temperature range	-30 °C to +80 °C
Lifetime	typical 10–50 Mio. Cycles*

\* The lifetime depends on the application and environmental conditions.

Article master number 1114Z80

Typical

## APPLICATION AREAS



Optionally available

## PROTECTIVE HOUSING

To protect against mechanical damage and extreme environmental conditions, as well as for necessary adaptation gears and additional switches, suitable housings are available in various designs.



For more information on protective housings, click here: [www.fsg-sensors.de](http://www.fsg-sensors.de)

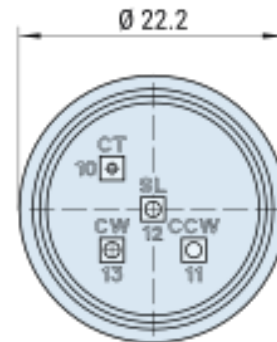
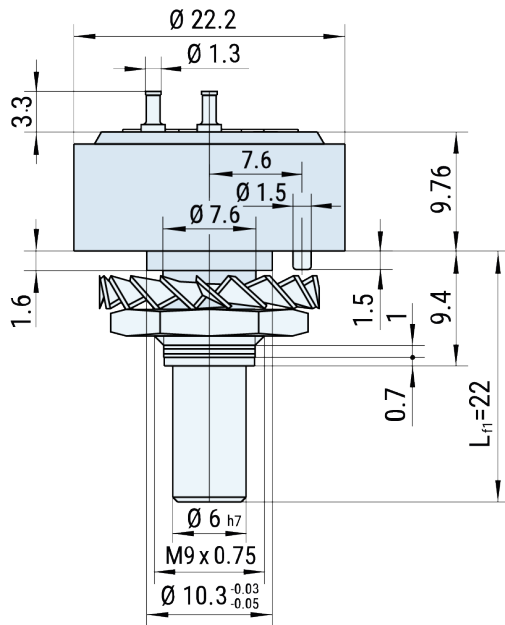


WIRE WINDING

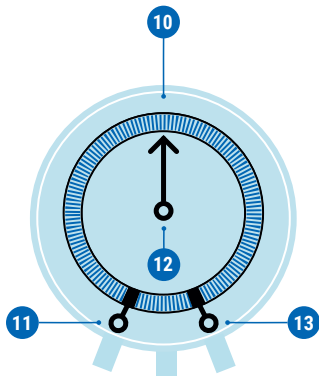
SYNCHRO DESIGN

# PW609dy

## DIMENSIONAL DRAWINGS



## CONNECTION



### Standard

- 11 Resistance start
- 12 Wiper
- 13 Resistance end

### Optional

- 10 Additional tap

## CIRCUIT VARIATIONS

Wire-wound resistive elements with shape on a painted copper wire body in single-turn or multi-turn potentiometers.



- 1 Wiper limited by stops
- 2 Wiper continuous rotation without limit stops (over 360°) only for short-up without voltage
- 3 Free arrangement of short-circuit sections
- 4 Free arrangement of taps

## CONTACT

If you have any questions about this or any other FSG product, please do not hesitate to contact us.



### BERLIN (HQ)

Fernsteuergeräte Kurt Oelsch GmbH  
Jahnstraße 68 + 70  
12347 Berlin

- ✉ info@fsg-sensors.de
- 🌐 www.fsg-sensors.de
- ☎ +49 30 6291-1
- 📠 +49 30 6291-277

© Fernsteuergeräte Kurt Oelsch GmbH  
No guarantee for the correctness, completeness of the contents. The product illustration may differ from original.