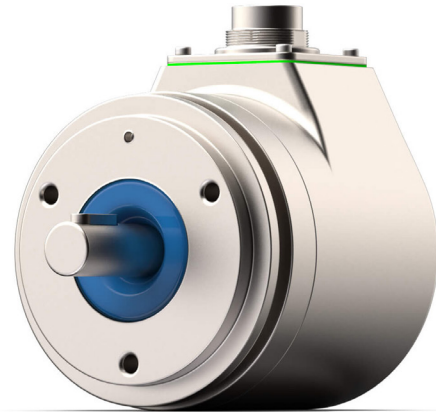


CONDUCTIVE PLASTIC SYNCHRO DESIGN

PK1023d

Robust precision Potentiometer with conductive plastic resistance element

- Robust design with IP65 protection rating
- Short-circuit distances and additional taps available upon request
- Available with optional plug or cable connection



TECHNICAL DATA

Housing material	aluminum, anodized	Resistance values	to 10 kΩ
Housing diameter	60 mm	Resistance tolerance	± 10 %
IP code of housing up to	IP65	Linearity tolerance	±1.5 % / ±0.1 % (on request)
Shaft diameter	6 mm / 10 mm	Resolution in turns	almost infinite
Adjustment speed	max. 1000 U/min.	Capacity	2 W
Torque	2.5 Ncm	Temperature range	-30 °C to +80 °C
Wiper without limit stops	yes	Temperature coefficient	0.02 % / °C
Multiple execution	twice	Lifetime	typical 10–50 Mio. Cycles**
Bearing	2x ball-bearing	<small>** The lifetime depends on the application and environmental conditions.</small>	
Connection	plug / cable	Vibration*	5–200 Hz, 10 g
Fastening	clamp fixing and 3x M4 of TK 42 mm	Shock*	50 g, 6 ms
Resistance element	conductive plastic		
Active angle	max. 355°		

*Depending on customer specifications.

Article master number 5710Z53

Typical APPLICATION AREAS



Optionally available PROTECTIVE HOUSING

Due to its extremely robust design, there is no need for a protective housing for the PK1023 potentiometer series.



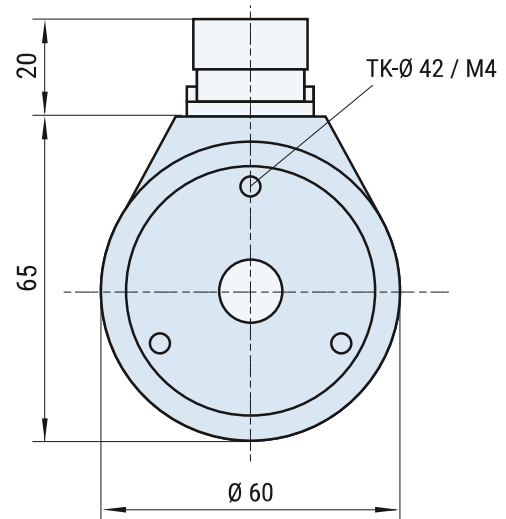
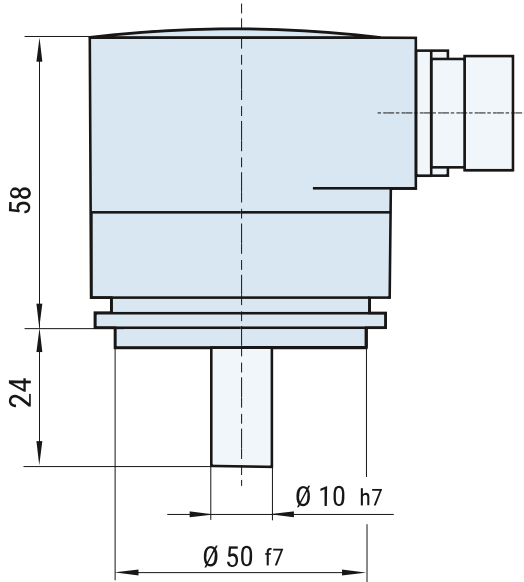
For more information on protective housings, click here: www.fsg-sensors.de



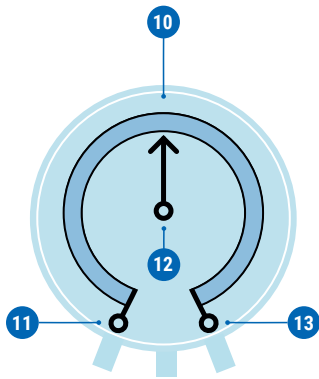
CONDUCTIVE PLASTIC SYNCHRO DESIGN

PK1023d

DIMENSIONAL DRAWINGS



CONNECTION



Standard

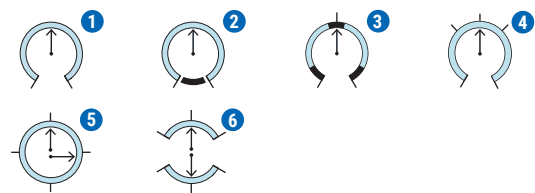
- 11 Resistance start
- 12 Wiper
- 13 Resistance end

Optional

- 10 Additional tap

CIRCUIT VARIATIONS

Wire-wound resistive elements **conductive plastic**, printed on glass fiber reinforced substrate. Maximum active angle is 355°. Smaller angles, taps, and shorted sections are available on request.



- 1 Wiper limited by stops
- 2 Wiper continues rotation over 360°
- 3 Free arrangement of shorted sections
- 4 Free arrangement of taps
- 5 Sin/cos characteristic curve
- 6 Two electrically isolated windings on a winding body, angle ≤ 175°

CONTACT

If you have any questions about this or any other FSG product, please do not hesitate to contact us.

BERLIN (HQ)
Fernsteuergeräte Kurt Oelsch GmbH
Jahnstraße 68 + 70
12347 Berlin

✉ info@fsg-sensors.de
🌐 www.fsg-sensors.de
📞 +49 30 6291-1
📠 +49 30 6291-277

© Fernsteuergeräte Kurt Oelsch GmbH
No guarantee for the correctness, completeness of the contents. The product illustration may differ from original.