

WIRE WINDING

FSG-DESIGN

PW45W10

10-turn precision Potentiometer

- Multiturn precision potentiometer for ten revolutions
- High-resolution resistance element with caterpillar winding
- Resistance value can be customized as desired



TECHNICAL DATA

| | | | |
|---------------------------|--|---|-----------------------------|
| Housing material | brass / thermoplastic | Resistance values | to 25 kΩ |
| Housing diameter | 45 mm | Resistance tolerance | 5% |
| IP code of housing up to | IP30 | Linearity tolerance | ±0.1 % |
| Shaft diameter | 6 mm | Resolution in turns | max. 21049 |
| Adjustment speed | max. 360 U/min | Capacity | 2 W |
| Torque | 0.5 Ncm | Temperature range | -30 °C to +80 °C |
| Wiper without limit stops | no | Temperature coefficient | 0.0017 % / °C |
| Multiple execution | twice | Lifetime | typical 10–50 Mio. Cycles** |
| Bearing | sintered bearing | <small>** The lifetime depends on the application and environmental conditions.</small> | |
| Connection | solder-type terminals | Vibration* | 5–200 Hz, 10 g |
| Fastening | central fixing / optional clamp fixing | Shock* | 50 g, 6 ms |
| Resistance element | caterpillar | | |
| Active angle | max. 3600° | | |

*Depending on customer specifications.

Article master number 1300Z10

Typical

APPLICATION AREAS



Ship



Rails



Automation



Logistics



Medicine



Industry

Optionally available

PROTECTIVE HOUSING

To protect against mechanical damage and extreme environmental conditions, as well as for necessary adaptation gears and additional switches, suitable housings are available in various designs.



For more information on protective housings, click here: www.fsg-sensors.de

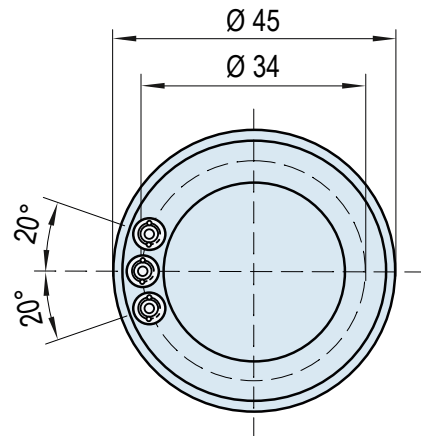
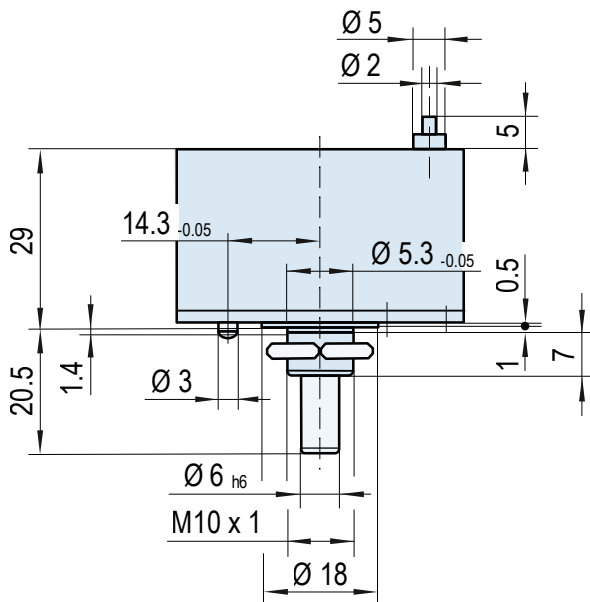


WIRE WINDING

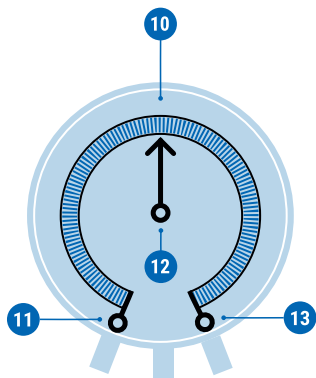
FSG-DESIGN

PW45W10

DIMENSIONAL DRAWINGS



CONNECTION



Standard

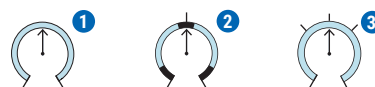
- 11 Resistance start
- 12 Wiper
- 13 Resistance end

Optional

- 10 Additional tap

CIRCUIT VARIATIONS

Wire-wound resistive elements with shape on a painted copper wire body in single-turn or multi-turn input or multiturn potentiometers.



- 1 Wiper limited by stops
- 2 Free arrangement of short-circuit sections
- 3 Free arrangement of taps

CONTACT

If you have any questions about this or any other FSG product, please do not hesitate to contact us.

BERLIN (HQ)
Fernsteuergeräte Kurt Oelsch GmbH
Jahnstraße 68 + 70
12347 Berlin

✉ info@fsg-sensors.de
🌐 www.fsg-sensors.de
📞 +49 30 6291-1
📠 +49 30 6291-277

© Fernsteuergeräte Kurt Oelsch GmbH
No guarantee for the correctness, completeness of the contents. The product illustration may differ from original.