

CONDUCTIVE PLASTIC SYNCHRO DESIGN

# PK620-15d

**Precision Potentiometer with conductive plastic resistance element**

- High-resolution resistance element of conductive plastic
- Short-circuit distances and additional taps available upon request
- Resistance value and active angle can be customized as desired



## TECHNICAL DATA

Housing material	aluminum, anodized
Housing diameter	50.8 mm
IP code of housing up to	IP30
Shaft diameter	6 mm
Adjustment speed	max. 1000 U/min.
Torque	0.05 Ncm
Wiper without limit stops	yes
Multiple execution	sixfold
Bearing	ball-bearing
Connection	faston plug / solder-type terminals
Fastening	clamp fixing
Resistance element	conductive plastic
Active angle	max. 355°

Resistance values	to 10 kΩ
Resistance tolerance	± 10 %
Linearity tolerance	±1.5 % / ±0.1 % (on request)
Resolution in turns	almost infinite
Capacity	2 W
Temperature range	-30 °C to +80 °C
Temperature coefficient	0.02 % / °C
Lifetime	typical 10–50 Mio. Cycles**
<small>** The lifetime depends on the application and environmental conditions.</small>	
Vibration*	5–200 Hz, 10 g
Shock*	50 g, 6 ms

### Specific features

Additional switches, maximum of 2, fixed setting

\*Depending on customer specifications.

**Article master number** 1575Z12

Typical

## APPLICATION AREAS



Optionally available

## PROTECTIVE HOUSING

To protect against mechanical damage and extreme environmental conditions, as well as for necessary adaptation gears and additional switches, suitable housings are available in various designs.



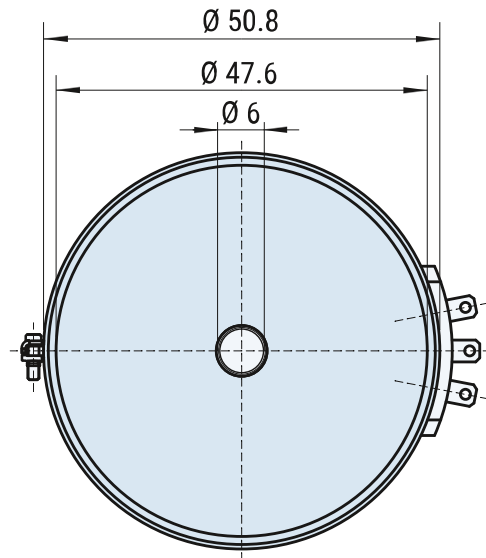
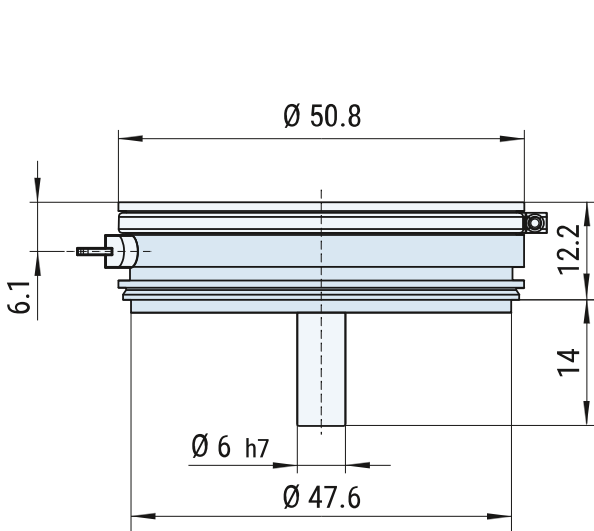
**For more information on protective housings, click here: [www.fsg-sensors.de](http://www.fsg-sensors.de)**



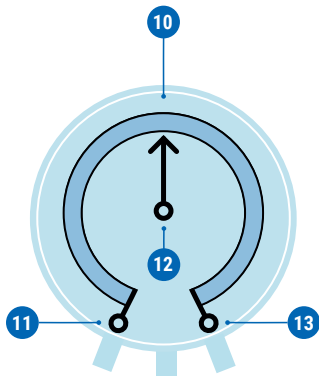
CONDUCTIVE PLASTIC SYNCHRO DESIGN

# PK620-15d

## DIMENSIONAL DRAWINGS



## CONNECTION



### Standard

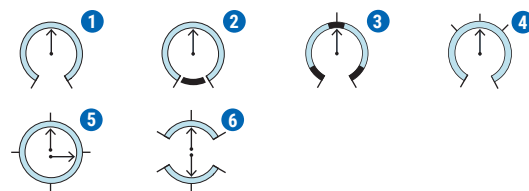
- 11 Resistance start
- 12 Wiper
- 13 Resistance end

### Optional

- 10 Additional tap

## CIRCUIT VARIATIONS

Wire-wound resistive elements **conductive plastic**, printed on glass fiber reinforced substrate. Maximum active angle is 355°. Smaller angles, taps, and shorted sections are available on request.



- 1 Wiper limited by stops
- 2 Wiper continues rotation over 360°
- 3 Free arrangement of shorted sections
- 4 Free arrangement of taps
- 5 Sin/cos characteristic curve
- 6 Two electrically isolated windings on a winding body, angle  $\leq 175^\circ$

## CONTACT

If you have any questions about this or any other FSG product, please do not hesitate to contact us.



### BERLIN (HQ)

Fernsteuergeräte Kurt Oelsch GmbH  
Jahnstraße 68 + 70  
12347 Berlin

- ✉ info@fsg-sensors.de
- 🌐 www.fsg-sensors.de
- ☎ +49 30 6291-1
- 📠 +49 30 6291-277

© Fernsteuergeräte Kurt Oelsch GmbH  
No guarantee for the correctness, completeness of the contents. The product illustration may differ from original.