

WIRE WINDING

FSG-DESIGN

PW45d

Wire wound precision Potentiometer

- High-resolution resistive element with ring winding
- Short-circuit distances, additional taps and special windings available on request
- Resistance value and active angle can be customized as desired



TECHNICAL DATA

Housing material	thermoplastic	Resistance values	to 20 kΩ
Housing diameter	45 mm	Resistance tolerance	2%
IP code of housing up to	IP30	Linearity tolerance	±0.3 %
Shaft diameter	6 mm	Resolution in turns	max. 2321
Adjustment speed	max. 360 U/min	Capacity	2.5 W
Torque	0.3 Ncm / 3 Ncm	Temperature range	-30 °C to +80 °C
Wiper without limit stops	yes	Temperature coefficient	0.0017 % / °C
Multiple execution	twice	Lifetime	typical 10–50 Mio. Cycles**
Bearing	needle bearing	<small>** The lifetime depends on the application and environmental conditions.</small>	
Connection	screw connection / solder-type terminals	Vibration*	5–200 Hz, 10 g
Fastening	threaded hole 2x M4, distance 32 mm	Shock*	50 g, 6 ms
Resistance element	ring		
Active angle	max. 345°		

*Depending on customer specifications.

Article master number 1500Z05

Typical

APPLICATION AREAS



Ship



Rails



Automation



Logistics



Medicine



Industry

Optionally available

PROTECTIVE HOUSING

To protect against mechanical damage and extreme environmental conditions, as well as for necessary adaptation gears and additional switches, suitable housings are available in various designs.



For more information on protective housings, click here: www.fsg-sensors.de

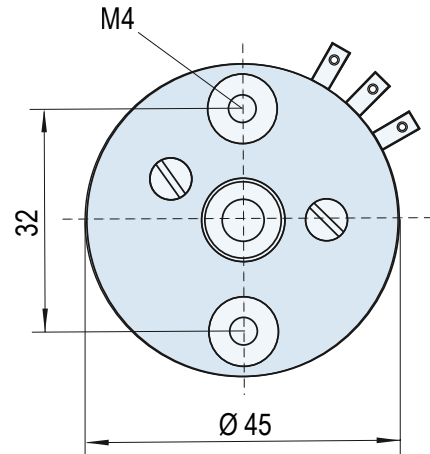
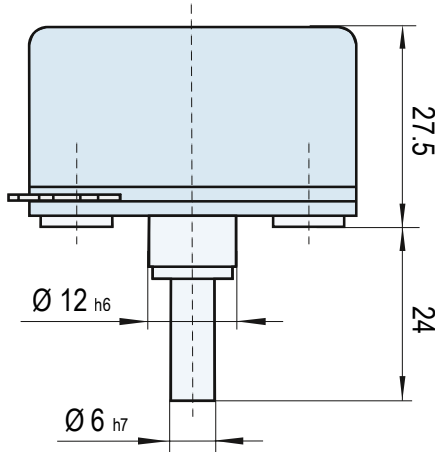


WIRE WINDING

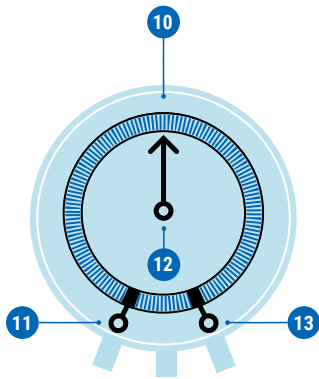
FSG-DESIGN

PW45d

DIMENSIONAL DRAWINGS



CONNECTION



Standard

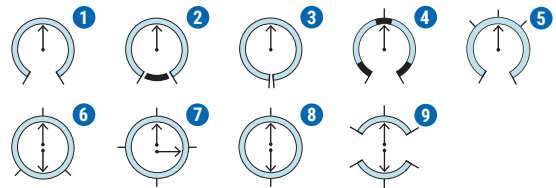
- 11 Resistance start
- 12 Wiper
- 13 Resistance end

Optional

- 10 Additional tap

CIRCUIT VARIATIONS

Wire-wound resistive elements as **ring winding** on an anodized aluminum ring body can be executed in various circuit configurations, angle ranges, and resistance values.



- 1 Wiper limited by stops
- 2 Wiper continues rotation over 360° with dummy winding
- 3 Wiper continues rotation over 360° without reactive winding (sawtooth curve)
- 4 Free arrangement of shorted sections
- 5 Free arrangement of taps
- 6/7/8 Special windings with linear or sin/cos characteristic curves
- 9 Two electrically isolated windings on a winding body, angle ≤175°

CONTACT

If you have any questions about this or any other FSG product, please do not hesitate to contact us.

BERLIN (HQ)
Fernsteuergeräte Kurt Oelsch GmbH
Jahnstraße 68 + 70
12347 Berlin

✉ info@fsg-sensors.de
🌐 www.fsg-sensors.de
📞 +49 30 6291-1
📠 +49 30 6291-277

© Fernsteuergeräte Kurt Oelsch GmbH
No guarantee for the correctness, completeness of the contents. The product illustration may differ from original.