

CONDUCTIVE PLASTIC SYNCHRO DESIGN

# PK613-16d

**Precision Potentiometer with conductive plastic resistance element**

- High-resolution resistance element of conductive plastic
- Short-circuit distances and additional taps available upon request
- Resistance value and active angle can be customized as desired



## TECHNICAL DATA

Housing material	aluminum, anodized
Housing diameter	36.5 mm
IP code of housing up to	IP30
Shaft diameter	6 mm
Adjustment speed	max. 1000 U/min.
Torque	0.05 Ncm
Wiper without limit stops	yes
Multiple execution	sixfold
Bearing	sintered bearing
Connection	faston plug / solder-type terminals
Fastening	clamp fixing
Resistance element	conductive plastic
Active angle	max. 352°

Resistance values	to 10 kΩ
Resistance tolerance	± 10 %
Linearity tolerance	±1.5 % / ±0.15 % (on request)
Resolution in turns	almost infinite
Capacity	1 W
Temperature range	-30 °C to +80 °C
Temperature coefficient	0.02 % / °C
Lifetime	typical 10–50 Mio. Cycles**
<small>** The lifetime depends on the application and environmental conditions.</small>	
Vibration*	5–200 Hz, 10 g
Shock*	50 g, 6 ms

\*Depending on customer specifications.

**Article master number 1565Z02**

## Typical APPLICATION AREAS



## Optionally available PROTECTIVE HOUSING

To protect against mechanical damage and extreme environmental conditions, as well as for necessary adaptation gears and additional switches, suitable housings are available in various designs.



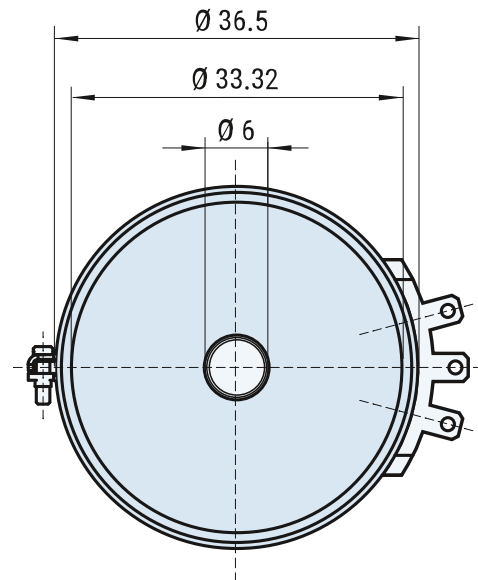
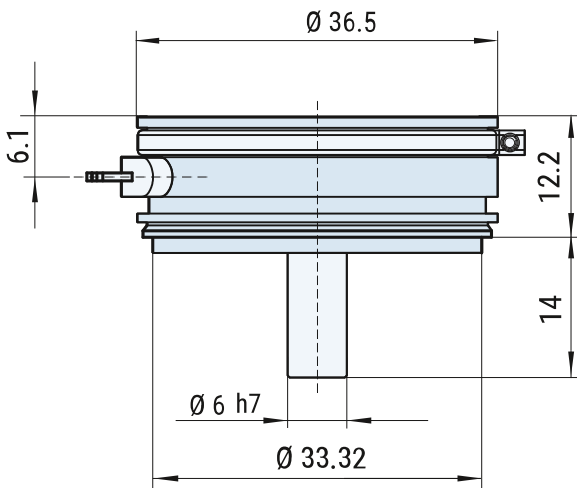
**For more information on protective housings, click here: [www.fsg-sensors.de](http://www.fsg-sensors.de)**



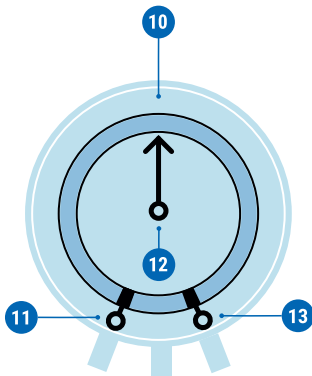
CONDUCTIVE PLASTIC SYNCHRO DESIGN

# PK613-16d

## DIMENSIONAL DRAWINGS



## CONNECTION



**Standard**

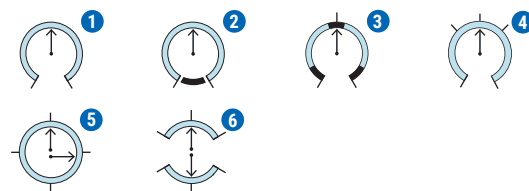
- 11 Resistance start
- 12 Wiper
- 13 Resistance end

**Optional**

- 10 Additional tap

## CIRCUIT VARIATIONS

Wire-wound resistive elements **conductive plastic**, printed on glass fiber reinforced substrate. Maximum active angle is 355°. Smaller angles, taps, and shorted sections are available on request.



- 1 Wiper limited by stops
- 2 Wiper continues rotation over 360°
- 3 Free arrangement of shorted sections
- 4 Free arrangement of taps
- 5 Sin/cos characteristic curve
- 6 Two electrically isolated windings on a winding body, angle ≤175°

## CONTACT

If you have any questions about this or any other FSG product, please do not hesitate to contact us.

**BERLIN (HQ)**  
Fernsteuergeräte Kurt Oelsch GmbH  
Jahnstraße 68 + 70  
12347 Berlin

✉ info@fsg-sensors.de  
🌐 www.fsg-sensors.de  
📞 +49 30 6291-1  
📠 +49 30 6291-277

© Fernsteuergeräte Kurt Oelsch GmbH  
No guarantee for the correctness, completeness of the contents. The product illustration may differ from original.