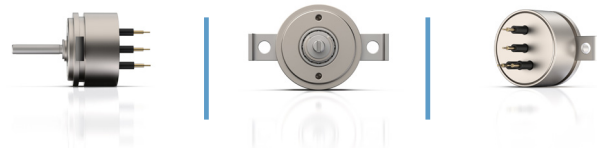
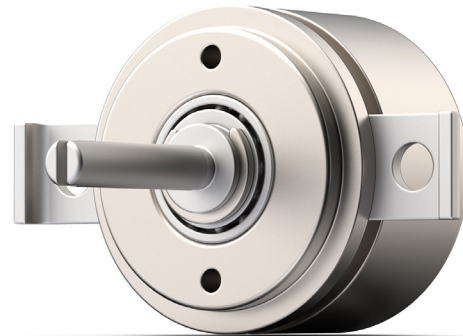


CONDUCTIVE PLASTIC SYNCHRO DESIGN

PK309-25d

Miniature Potentiometer with conductive plastic resistive element

- Low-cost miniature potentiometer
- High-resolution resistance element of conductive plastic
- Short-circuit distances and additional taps available upon request



TECHNICAL DATA

Housing material	aluminum, anodized	Resistance values	to 10 kΩ
Housing diameter	22.2 mm	Resistance tolerance	± 20 %
IP code of housing up to	IP30	Linearity tolerance	±2 %
Shaft diameter	3 / 6 mm	Resolution in turns	almost infinite
Adjustment speed	max. 1000 U/min.	Capacity	0.5 W
Torque	0.03 Ncm	Temperature range	-30 °C to +80 °C
Wiper without limit stops	yes	Temperature coefficient	0.02 % / °C
Multiple execution	no	Lifetime	typical 10–50 Mio. Cycles**
Bearing	ball-bearing	<small>** The lifetime depends on the application and environmental conditions.</small>	
Connection	strands	Vibration*	5–200 Hz, 10 g
Fastening	clamp fixing	Shock*	50 g, 6 ms
Resistance element	conductive plastic		
Active angle	max. 345°		

*Depending on customer specifications.

Article master number 1125Z01

Typical APPLICATION AREAS



Optionally available PROTECTIVE HOUSING

To protect against mechanical damage and extreme environmental conditions, as well as for necessary adaptation gears and additional switches, suitable housings are available in various designs.



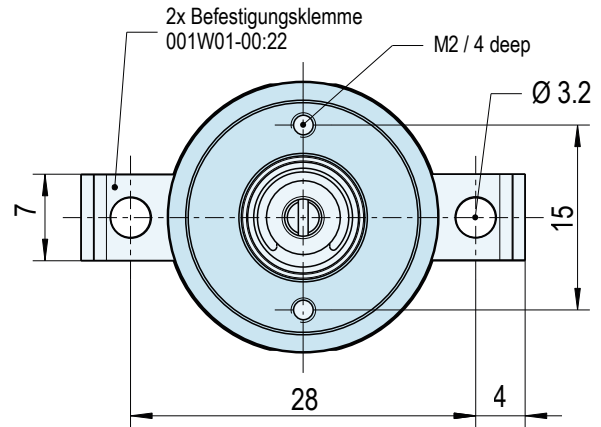
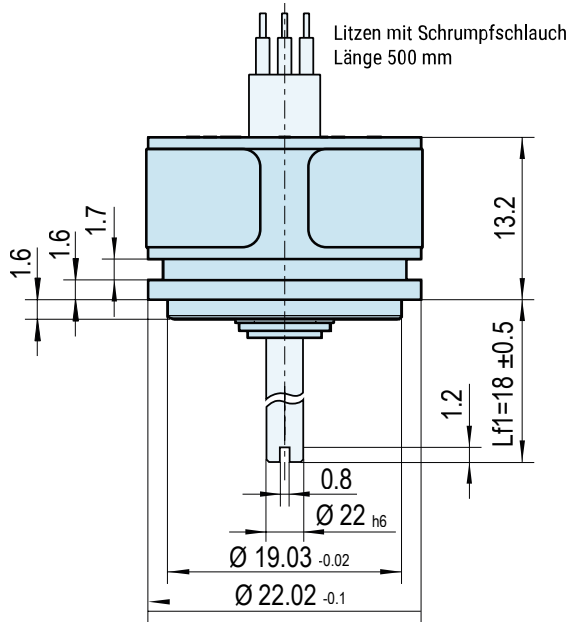
For more information on protective housings, click here: www.fsg-sensors.de



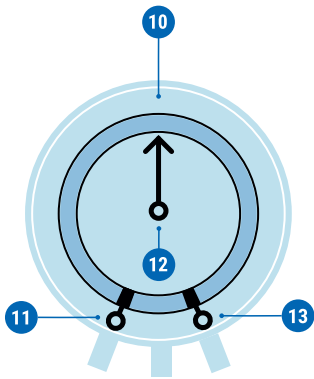
CONDUCTIVE PLASTIC SYNCHRO DESIGN

PK309-25d

DIMENSIONAL DRAWINGS



CONNECTION



Standard

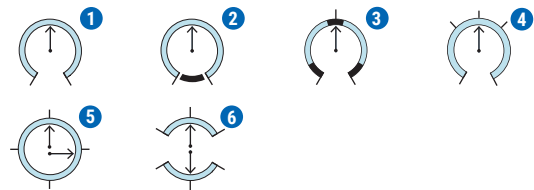
- 11 Resistance start
- 12 Wiper
- 13 Resistance end

Optional

- 10 Additional tap

CIRCUIT VARIATIONS

Wire-wound resistive elements **conductive plastic**, printed on glass fiber reinforced substrate. Maximum active angle is 355°. Smaller angles, taps, and shorted sections are available on request.



- 1 Wiper limited by stops
- 2 Wiper continues rotation over 360°
- 3 Free arrangement of shorted sections
- 4 Free arrangement of taps
- 5 Sin/cos characteristic curve
- 6 Two electrically isolated windings on a winding body, angle ≤175°

CONTACT

If you have any questions about this or any other FSG product, please do not hesitate to contact us.



BERLIN (HQ)
Fernsteuergeräte Kurt Oelsch GmbH
Jahnstraße 68 + 70
12347 Berlin

✉ info@fsg-sensors.de
🌐 www.fsg-sensors.de
📞 +49 30 6291-1
📠 +49 30 6291-277

© Fernsteuergeräte Kurt Oelsch GmbH
No guarantee for the correctness, completeness of the contents. The product illustration may differ from original.