

WIRE WINDING

SYNCHRO DESIGN

PW613-16

Wire wound precision Potentiometer

- High-resolution resistive element with caterpillar winding
- Short-circuit distances and additional taps available upon request
- Resistance value and active angle can be customized as desired

CE – konform



TECHNICAL DATA

Mechanical specifications

Housing material	aluminum, anodized
Housing diameter	36.5 mm
IP code of housing up to	IP30
Shaft diameter	6 mm
Adjustment speed	max. 360 U/min
Torque	0.05 Ncm
Wiper without limit stops	no
Multiple execution	sixfold
Resistance to compression	5–200 Hz, 10 g
Shock resistance	50 g, 6 ms
Bearing	sintered bearing
Connection	faston plug / solder-type terminals
Fastening	clamp fixing

Electrical specifications

Resistance element	caterpillar
Active angle	max. 345°
Resistance values	to 20 kΩ
Resistance tolerance	±0.2 %
Linearity tolerance	±0.2 %
Resolution in turns	1851
Capacity	1 W
Temperature coefficient	0.0017 % / °C
Temperature range	-30 °C to +80 °C
Lifetime	typical 10–50 Mio. Cycles*

* The lifetime depends on the application and environmental conditions.

Article master number 1567Z01

Typical

APPLICATION AREAS



Optionally available

PROTECTIVE HOUSING

To protect against mechanical damage and extreme environmental conditions, as well as for necessary adaptation gears and additional switches, suitable housings are available in various designs.



For more information on protective housings, click here: www.fsg-sensors.de

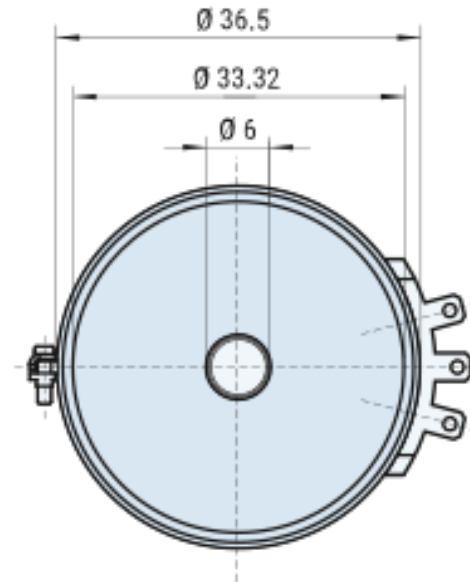
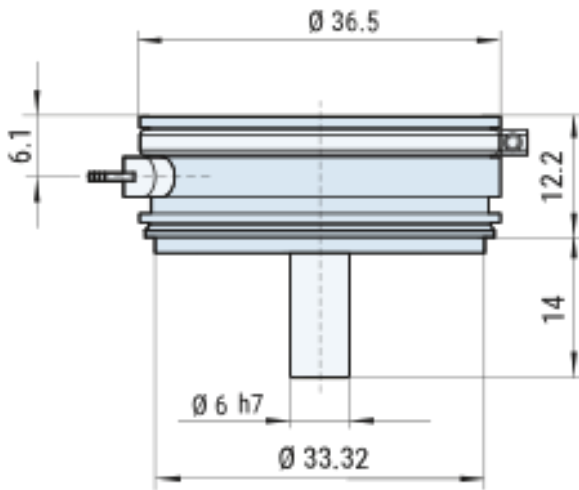


WIRE WINDING

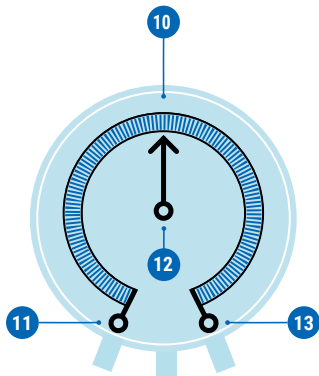
SYNCHRO DESIGN

PW613-16

DIMENSIONAL DRAWINGS



CONNECTION



Standard

- 11 Resistance start
- 12 Wiper
- 13 Resistance end

Optional

- 10 Additional tap

CIRCUIT VARIATIONS

Wire-wound resistive elements with shape on a painted copper wire body in single-turn or multi-turn potentiometers.



- 1 Wiper limited by stops
- 2 Wiper continuous rotation without limit stops (over 360°) only for short-up without voltage
- 3 Free arrangement of short-circuit sections
- 4 Free arrangement of taps

CONTACT

If you have any questions about this or any other FSG product, please do not hesitate to contact us.

BERLIN (HQ)
Fernsteuergeräte Kurt Oelsch GmbH
Jahnstraße 68 + 70
12347 Berlin

info@fsg-sensors.de
 www.fsg-sensors.de
 +49 30 6291-1
 +49 30 6291-277

© Fernsteuergeräte Kurt Oelsch GmbH
No guarantee for the correctness, completeness of the contents. The product illustration may differ from original.